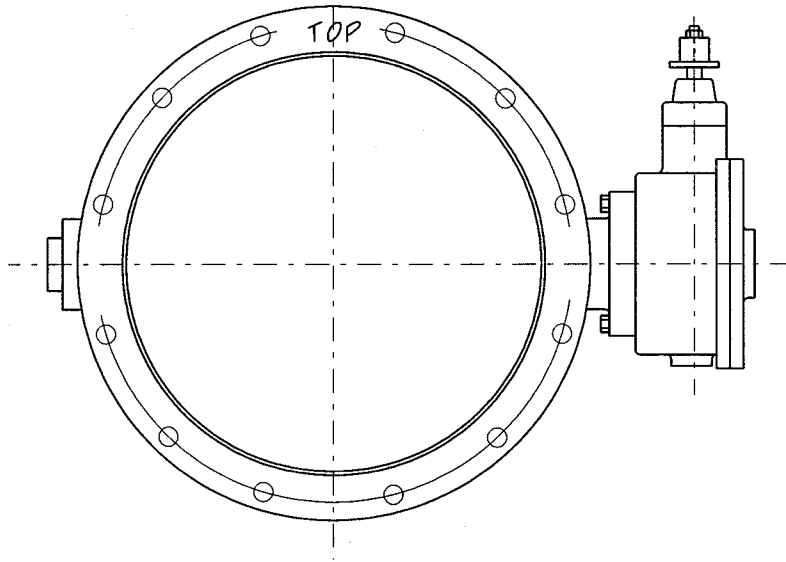


PLACE MARKINGS HERE



W0 2365 7/10/00 ↑ OK RTK

W0 2365 7/10/00 ↓ OK RTK

PASSING MARKINGS

W0 2365 7/10/00 ↑ NG RTK

FAILING MARKINGS

VALVE TEST MARKING

WATER AGENCIES STANDARDS

COMMITTEE APPROVAL: 03/01/2001

DRAWING NUMBER: EXHIBIT B