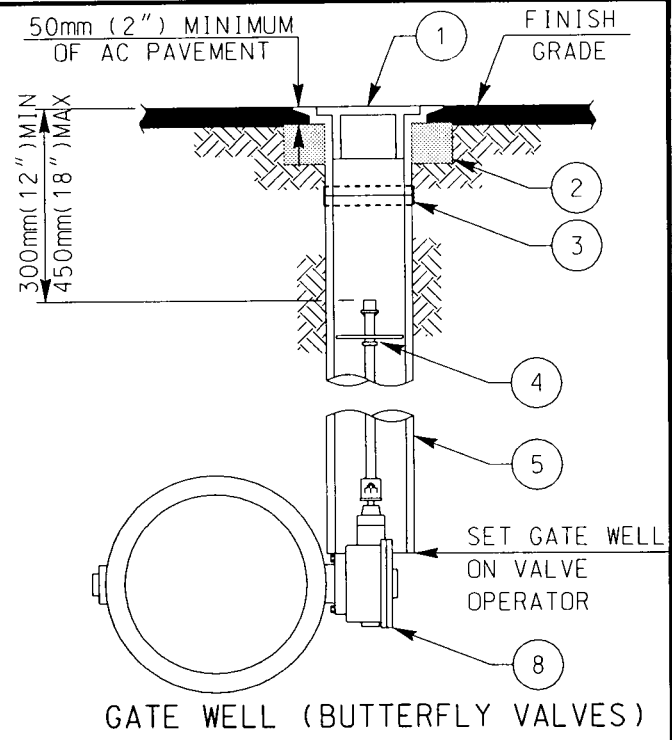
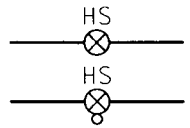
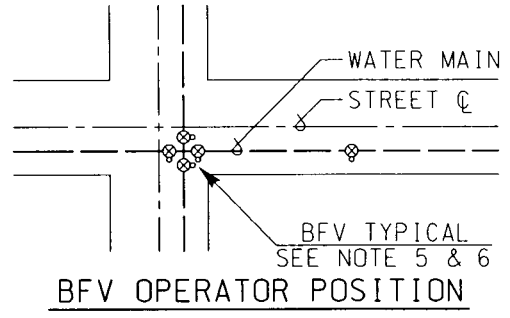


GATE WELL (GATE VALVES)



GATE WELL (BUTTERFLY VALVES)



LEGEND ON PLANS

NOTES:

- 1) REFER TO SECTION 15000 OF THE SPECIFICATIONS
- 2) VALVES DEEPER THAN 1.5m (5') REQUIRE A VALVE STEM EXTENSION
- 3) EXTENSION STEMS SHALL NOT BE ATTACHED/BOLTED TO OPERATING NUT
- 4) GATE WELL AND LID SHALL BE SET SO THAT NO MORE THAN TWO 25mm (1") ADJUSTMENT RINGS ARE USED
- 5) BFV OPERATORS TO BE LOCATED TO THE CURBLINE SIDE OF WATER MAIN
- 6) BFV'S INSTALLED AT CROSSES OR TEES REQUIRE A FLANGED DUCTILE IRON SPOOL TO BE INSTALLED BETWEEN THE FITTING AND VALVE IN ACCORDANCE WITH SECTION 15056 OF THE SPECIFICATIONS
- 7) GATE WELLS AND LIDS SHALL BE IDENTIFIED AS DESCRIBED ON WV-03
- 8) FOR INLINE VALVE ANCHOR BLOCK INSTALLATION SEE WT-02
- 9) MATERIALS SHALL BE SELECTED FROM THE APPROVED MATERIALS LIST

ITEM NO	SIZE AND DESCRIPTION	ITEM NO	SIZE AND DESCRIPTION
1	200mm (8") GATE WELL 2-PIECE MACHINED FRAME AND LID SEE NOTE 7	5	200mm (8") PVC CL200, C-900 PIPE x REQUIRED LENGTH GATE WELL SEE NOTE 7
2	150mm (6") HIGH x 150mm (6") WIDE ASPHALT CONCRETE RING	6	RESILIENT WEDGE GATE VALVE
3	CAULDER COUPLING	7	WATER MAIN
4	VALVE STEM EXTENSION SEE NOTES 2 & 3	8	BUTTERFLY VALVE

GATE WELL INSTALLATION, TYPE 2  
FOR VALVES 100mm (4") AND LARGER

WATER AGENCIES STANDARDS

COMMITTEE APPROVAL: 11/01/2002

DRAWING NUMBER: WV-02

K:\WAS\Water\Updated\1-1-02\wv02.dgn 10-OCT-2002 13:44