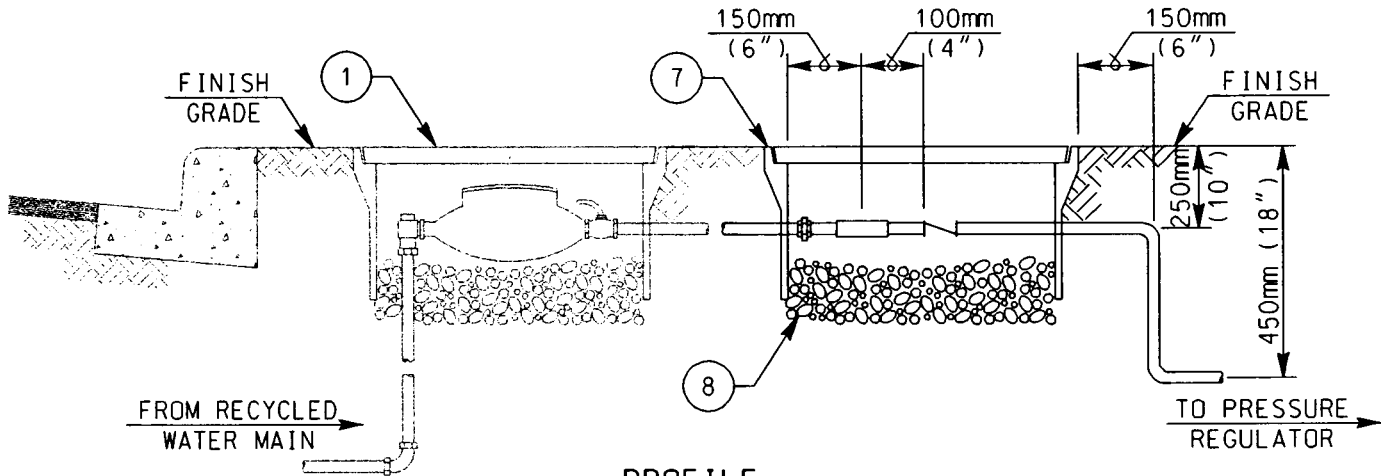
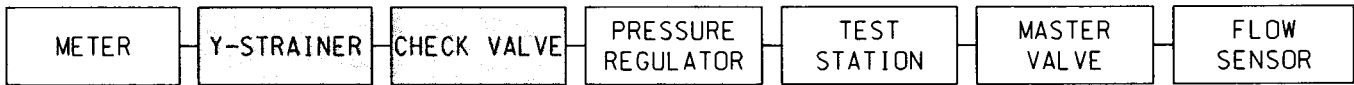


PLAN VIEW



PROFILE



POC SEQUENCE

NOTES:

- 1) REFER TO SECTIONS 15151 AND 15152 OF THE SPECIFICATIONS
- 2) SET TOP OF METER BOX FLUSH WITH SIDEWALK, CURB OR FINISH GRADE
- 3) INSTALL WARNING/IDENTIFICATION TAPE AS SHOWN ON WP-01
- 4) WATER LATERALS INSTALLED FOR THE USE OF RECYCLED WATER SHALL BE IDENTIFIED AS DESCRIBED IN SECTION 15151 OF THE SPECIFICATIONS
- 5) INSTALL WYE STRAINER HORIZONTAL TO SERVICE LATERAL
- 6) MATERIALS SHALL BE SELECTED FROM THE APPROVED MATERIALS LIST
- 7) A MORE STRINGENT METHOD OF BACKFLOW PREVENTION MAY BE REQUIRED AS SHOWN ON THE APPROVED PLANS

ITEM NO	SIZE AND DESCRIPTION	ITEM NO	SIZE AND DESCRIPTION
1	METER ASSEMBLY PER WS-01 & WS-02	6	13mm (1/2") BRASS BALL VALVE
2	BRASS OR COPPER PIPE	7	METER BOX WITH LID 250mm x 500mm (10"x 20") OR 425mm x 750mm (17"x30")
3	WYE STRAINER, SEE NOTE 5	8	10mm (3/8") ROCK, 100mm TO 150mm (4" TO 6") DEEP
4	BRASS CHECK VALVE		
5	SCREWED BRASS UNION		

**25mm AND 50mm (1" AND 2") RECYCLED WATER IRRIGATION CHECK VALVE INSTALLATION**

**WATER AGENCIES STANDARDS**

COMMITTEE APPROVAL: 11/16/2007

DRAWING NUMBER: **WR-03**

h:\WAS&WASDG\2007\WAS&WASDG11-16-07\WAS\StandardDrawings\Water\wr03\_11-16-07.dgn  
16-NOV-2007 10:20 keng  
PEN TBL: K:\table\wasdetail.pen