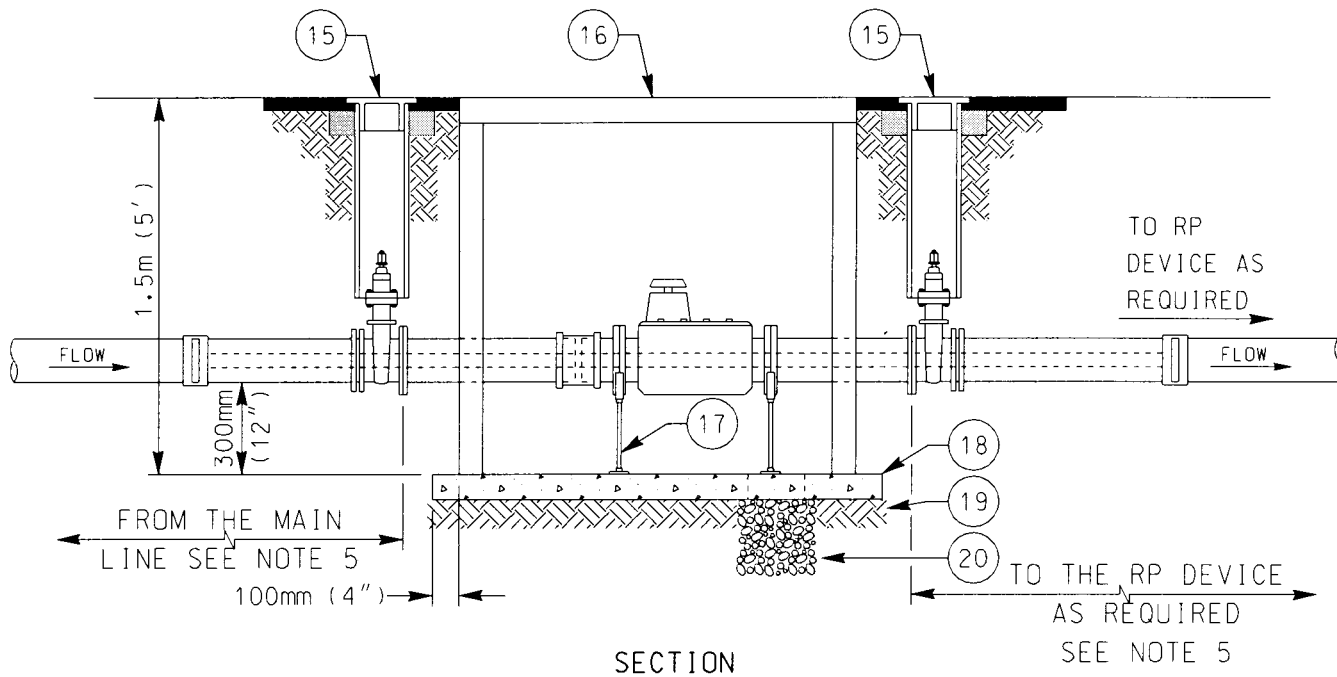
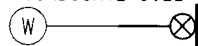


PLAN VIEW

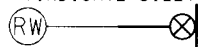


SECTION

(INDICATE SIZE)



(INDICATE SIZE)



LEGEND ON PLANS

FOR MATERIAL DESCRIPTIONS AND NOTES SEE WS-05 (2 OF 2)

75mm (3"), 100mm (4") OR 150mm (6")  
METER INSTALLATION

**WATER AGENCIES STANDARDS**

COMMITTEE APPROVAL: 11/03/2006

DRAWING NUMBER: WS-05 (1 OF 2)

h:\WAS&WASDC\WAS&WASDC11-03-06\ws05-1.dgn  
 PEN\_TBL: k:\table\WASDETAIL.PEN  
 28-NOV-2006 20:04 keng

FOR DRAWING OF THE METER INSTALLATION SEE WS-05 (SHEET 1 OF 2)

NOTES:

- 1) REFER TO SECTION 06620 OF THE SPECIFICATIONS
- 2) TO BE USED WHERE POTABLE OR RECYCLED WATER SERVICE IS TO BE PROVIDED ONLY FOR FIRE PROTECTION ON SITE REFER TO WS-04
- 3) LOCATION OF 75mm (3"), 100mm (4") OR 150mm (6") METER TO BE APPROVED BY DISTRICT ENGINEER IN ACCORDANCE WITH STANDARD DRAWING WS-06
- 4) 200mm (8") OR 250mm (10") METERS TO BE DESIGNED BY AN ENGINEER AND SUBMITTED FOR DISTRICT'S APPROVAL AS NEEDED ON A CASE-BY-CASE BASIS
- 5) JOINT RESTRAINT SHALL BE IN ACCORDANCE WITH SECTION 15000 OF THE SPECIFICATIONS
- 6) METERS SHALL BE FURNISHED AND INSTALLED BY THE AGENCY OF JURISDICTION
- 7) METERS INSTALLED FOR THE USE OF RECYCLED WATER SHALL BE IDENTIFIED AS DESCRIBED IN SECTION 15151 OF THE SPECIFICATIONS
- 8) IN AREAS WHERE GROUND WATER IS PRESENT THE DISTRICT ENGINEER MAY REQUIRE A SEALED SUMP TO BE CONSTRUCTED
- 9) CONNECTIONS TO STEEL MAINS SHALL BE IN ACCORDANCE WITH SECTION 15061
- 10) MATERIALS SHALL BE SELECTED FROM THE APPROVED MATERIALS LIST

ITEM NO	SIZE AND DESCRIPTION	ITEM NO	SIZE AND DESCRIPTION
1	50mm (2") x REQUIRED LENGTH TYPE "K" COPPER PIPE	10	75mm (3"), 100mm (4") OR 150mm (6") FLEXIBLE COUPLING
2	50mm (2") BRONZE CORPORATION STOP	11	75mm (3"), 100mm (4") OR 150mm (6") COMPOUND METER, SEE NOTE 6
3	LINE SIZE x 50mm (2") SERVICE SADDLE		
4	75mm (3"), 100mm (4") OR 150mm (6") PVC PIPE ONLY	12	300mm (12") DIAMETER x 150mm (6") LONG PVC PIPE
5	75mm (3"), 100mm (4") OR 150mm (6") FLG x MJ RWGV MECHANICALLY RESTRAINED, SEE NOTE 5	13	LINE SIZE x 600mm (24") LONG FLANGED DUCTILE-IRON SPOOL
		14	50mm (2") 90° COMPRESSION ELL (TYPICAL)
6	LINE SIZE x 600mm (24") LONG FLG x PE DUCTILE-IRON SPOOL	15	200mm (8") GATE WELL WITH LID SEE SEE WV-01 OR WV-02
7	LINE SIZE x 150mm (6") LONG FLG x PE DUCTILE-IRON SPOOL	16	HINGED VAULT ACCESS DOOR
		17	ADJUSTABLE PIPE SUPPORT (TYPICAL)
8	50mm (2") COMPRESSION, LOCKABLE BALL VALVE	18	150mm (6") CLASS "B" CONCRETE FLOOR WITH #3 BARS @ 300mm (12") C.C.
9	1200mm x 1800mm (48" x 72") FRP VAULT WITH HINGED ACCESS DOOR	19	150mm (6") DG BASE COMPACTED TO 90%
		20	300mm (12") DIAMETER x 300mm (12") DEEP, 19mm (3/4") GRAVEL SUMP, SEE NOTE 8

75mm (3"), 150mm (4") OR 150mm (6")  
METER INSTALLATION

**WATER AGENCIES STANDARDS**

COMMITTEE APPROVAL: 11/03/2006

DRAWING NUMBER: WS-05 (2 OF 2)

h:\WAS&WASDG\WAS&WASDG11-03-06\ws05-2.dgn  
 PEN\_TBL: k:\table\WASDETAIL.PEN  
 28-NOV-2006 20:05 keng