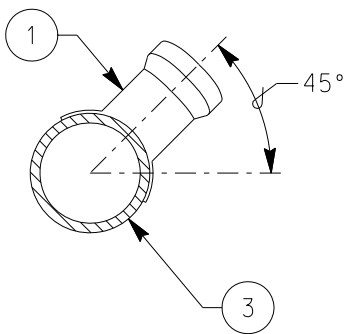
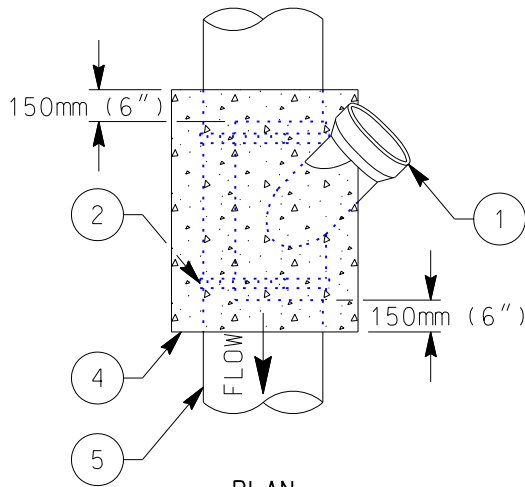


PLAN

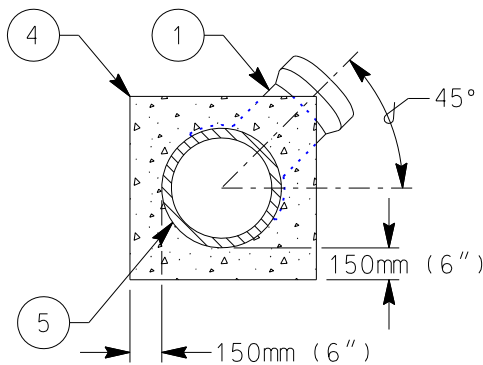


ELEVATION

**TYPE A
CUT IN WYE CONNECTION
FOR EXISTING PVC PIPE**

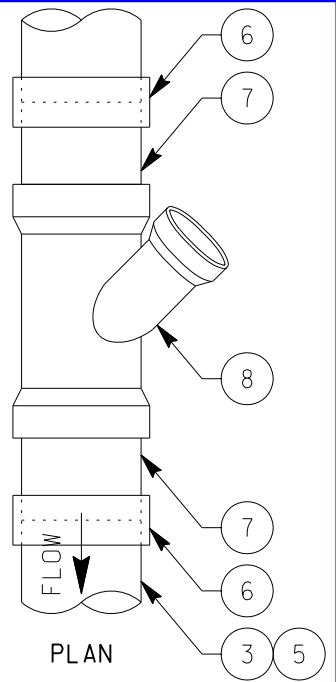


PLAN

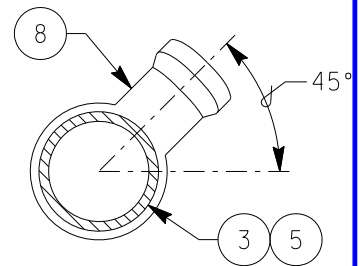


ELEVATION

**TYPE B
CUT IN WYE CONNECTION
FOR EXISTING VCP PIPE**



PLAN



ELEVATION

**TYPE C
CUT IN WYE CONNECTION
FOR EXISTING VCP OR
PVC PIPE**

NOTES:

- 1) REFER TO SECTION 15065 AND 15000 OF THE SPECIFICATIONS
- 2) CONNECTIONS TO EXISTING SEWER MAINS TO BE MADE BY DISTRICT PERSONNEL IN ACCORDANCE WITH 15000 UNLESS OTHERWISE NOTED ON PLANS
- 3) IN NO CASE SHALL CONNECTION BE MADE DIRECTLY ON TOP OF SEWER MAIN
- 4) NO MORE THAN ONE CUT IN WYE WILL BE ALLOWED FOR EACH LENGTH OF EXISTING VCP SEWER MAIN
- 5) FOR SEWER LATERAL INSTALLATION SEE SS-01 AND SS-02
- 6) FOR TRENCH BACKFILL SEE SP-02
- 7) MATERIALS SHALL BE SELECTED FROM THE APPROVED MATERIALS LIST



LEGEND ON PLANS

ITEM NO	SIZE AND DESCRIPTION	ITEM NO	SIZE AND DESCRIPTION
1	45° SADDLE WYE WITH GASKET	5	EXISTING VCP SEWER MAIN
2	STAINLESS STEEL HOSE CLAMPS (2-EACH)	6	CAULDER COUPLING
3	EXISTING PVC SEWER MAIN	7	0.9m (3') PVC SEWER PIPE SPOOL
4	CONCRETE ENCASEMENT	8	45° PVC WYE

100mm (4") AND 150mm (6")
SEWER CUT-IN WYE CONNECTIONS

WATER AGENCIES' STANDARDS

COMMITTEE APPROVAL: 11/23/2011

DRAWING NUMBER: SS-04